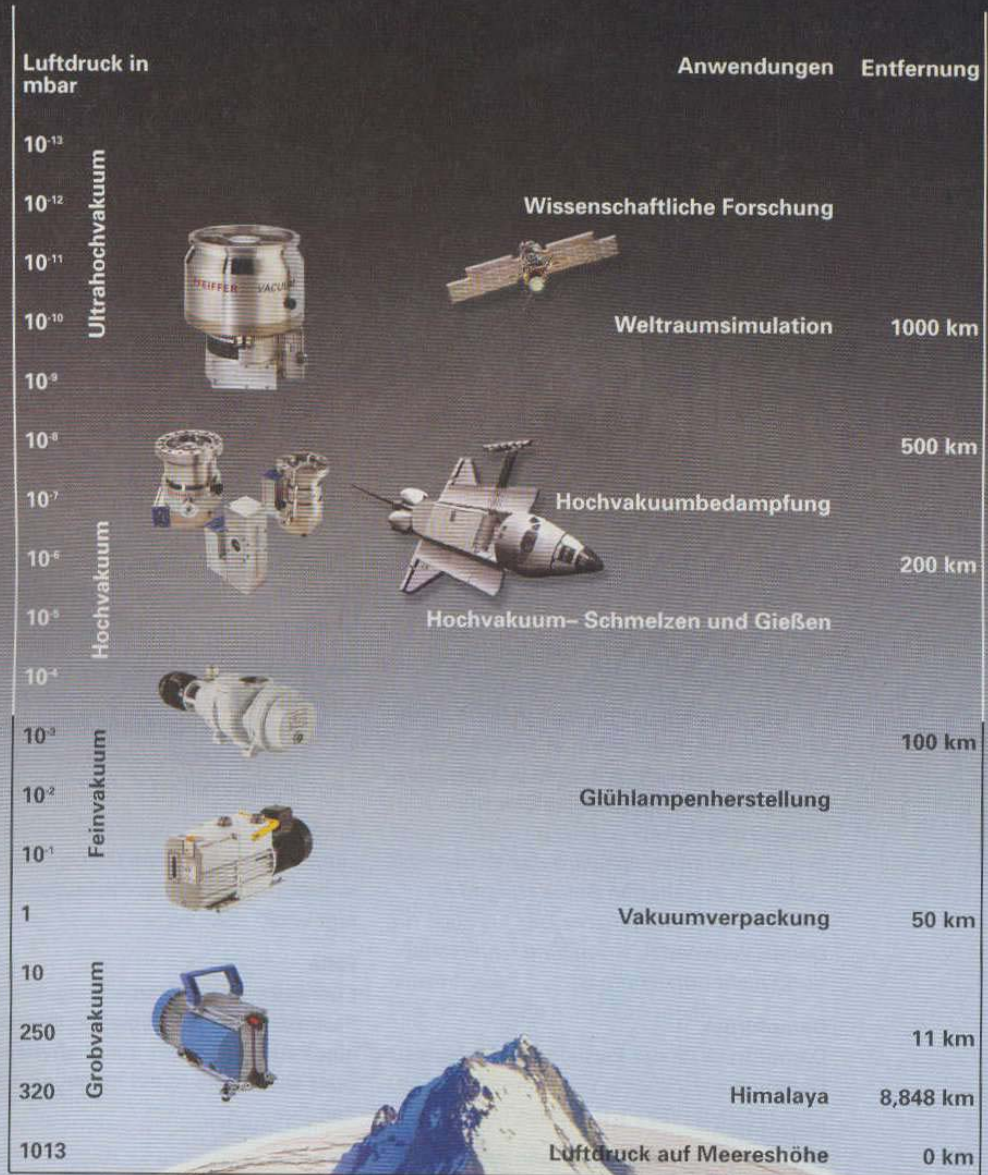
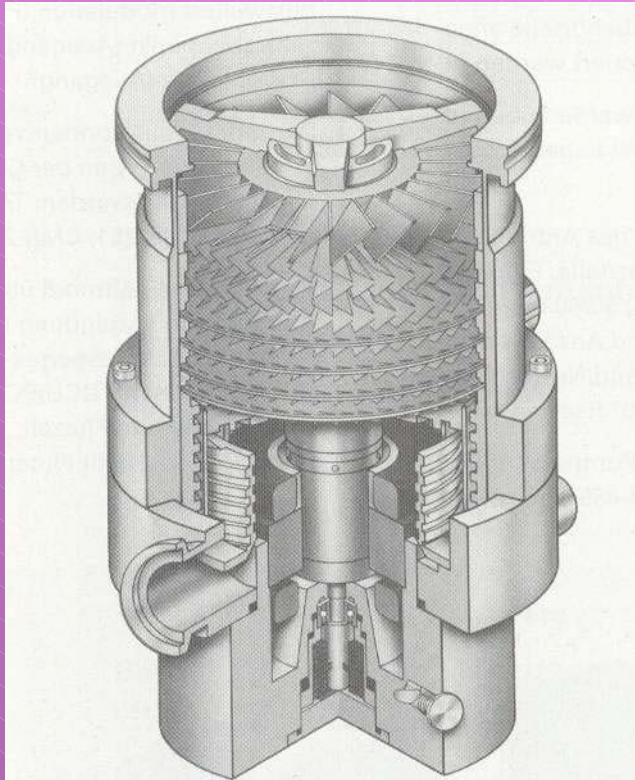


Was ist Vakuum?

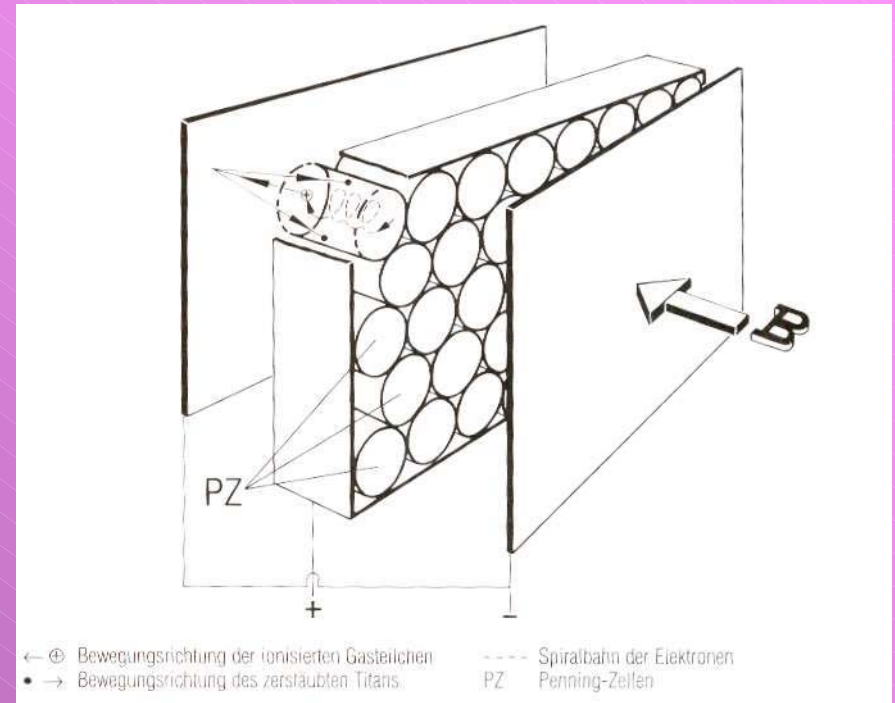


Pumpen für UHV

Turbo-Pumpe



Ionengeretterpumpe



← ⊕ Bewegungsrichtung der ionisierten Gasteilchen
• → Bewegungsrichtung des zerstäubten Titans

--- Spiralbahn der Elektronen
PZ Penning-Zellen

Einfluß von Restgasen

$P \sim 1 \times 10^{-10}$ mbar

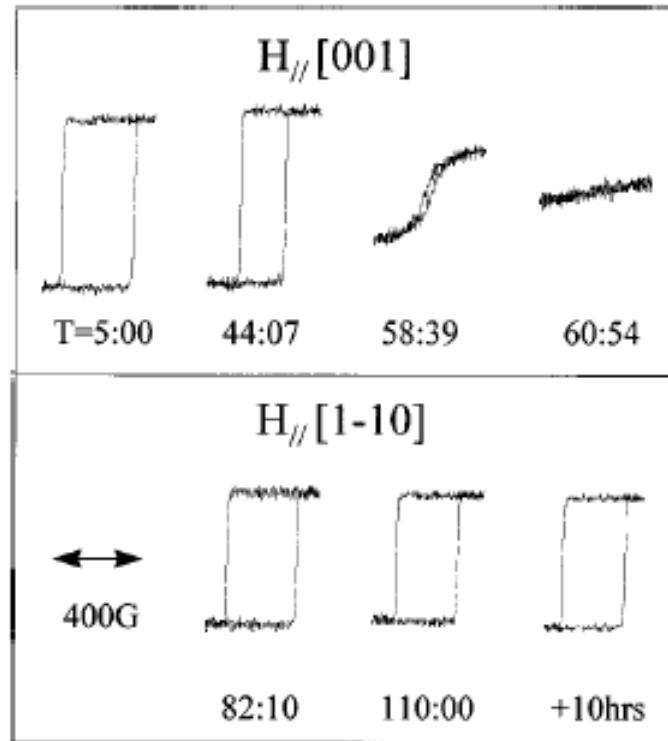
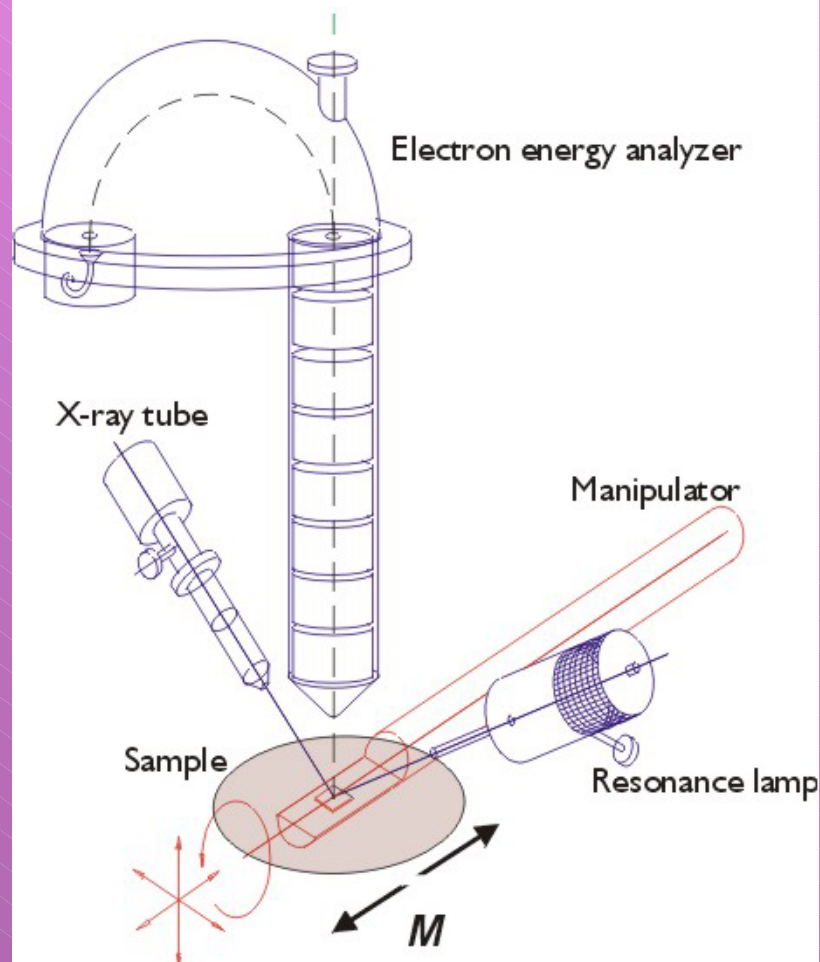


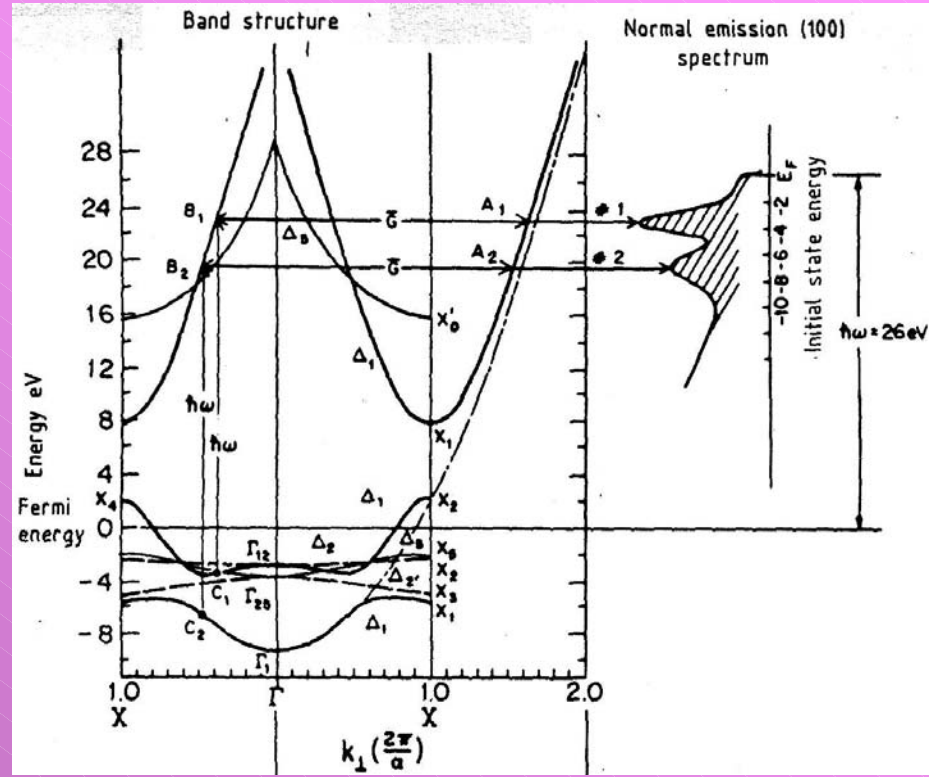
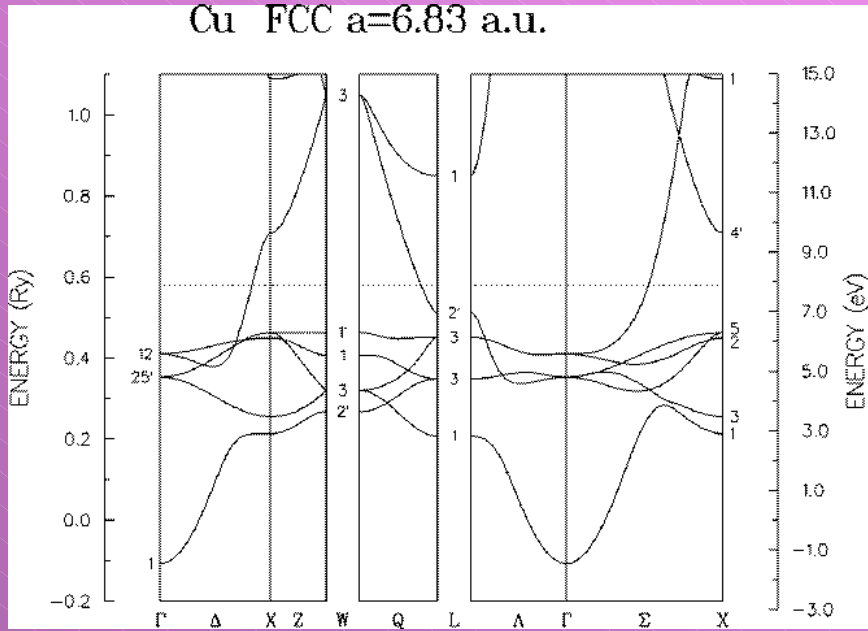
FIG. 1. The time evolution of the M - H loops for a 6 ML Co/Cu(110) film. The magnetic easy axis is observed to switch by 90° from the [001] to [1-10] direction in a duration of the order of 1 h. The time in minutes after the end of the Co deposition is given in minutes underneath each M - H loop.

Winkelaufgelöste Photoemission

Magnetism Sensitive XPS



Bandstruktur



„Quantum well states“

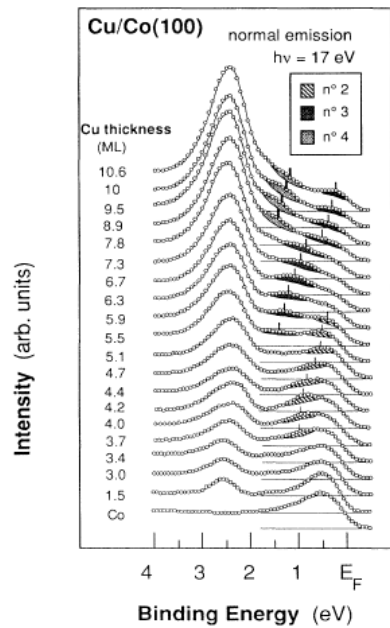


FIG. 1. Angle-resolved photoemission spectra of Cu overlayers on Co(100) for various thicknesses. The spectra have been measured for normal electron emission with 17 eV photon energy. The discrete overlayer states are labeled according to the definitions in Ref. [7].

